

Skate



Design: Cory Grosser



Skate

AC-2032

CONFIGURATIONS

OTTOMAN • CHAIR • LOVESEAT • SOFA • CHAISE

*Top view shown at 1/4" scale.

SPECIFICATIONS

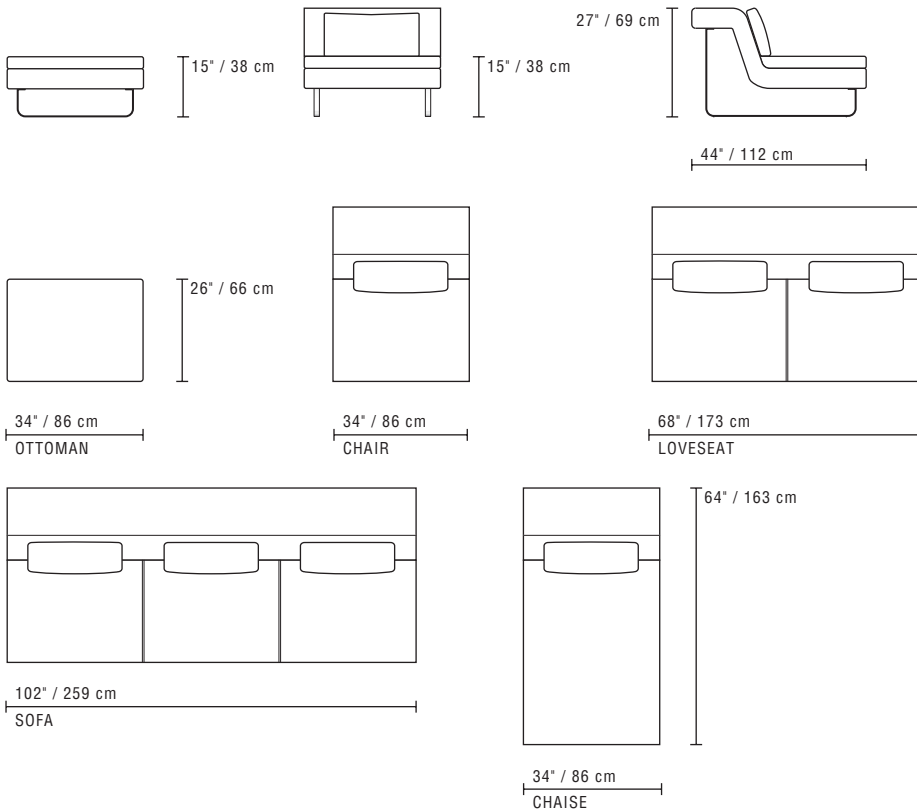
FRAME: Select hardwood and industrial grade plywood covered with polyurethane foam and polyester fiber.

SUSPENSION: 3" unidirectional webbing.

CUSHIONS: Seat; multiple density and IFD polyurethane foam wrapped with polyester fiber. Back; 90% white goose feathers and 10% white goose down.

UPHOLSTERY: Fabrics; all edges are serged and top stitched.

LEGS: Polished chrome.



Specifications are subject to change without notice.
©2003 Dellarobbia, Inc.

DELLAROBBIATM